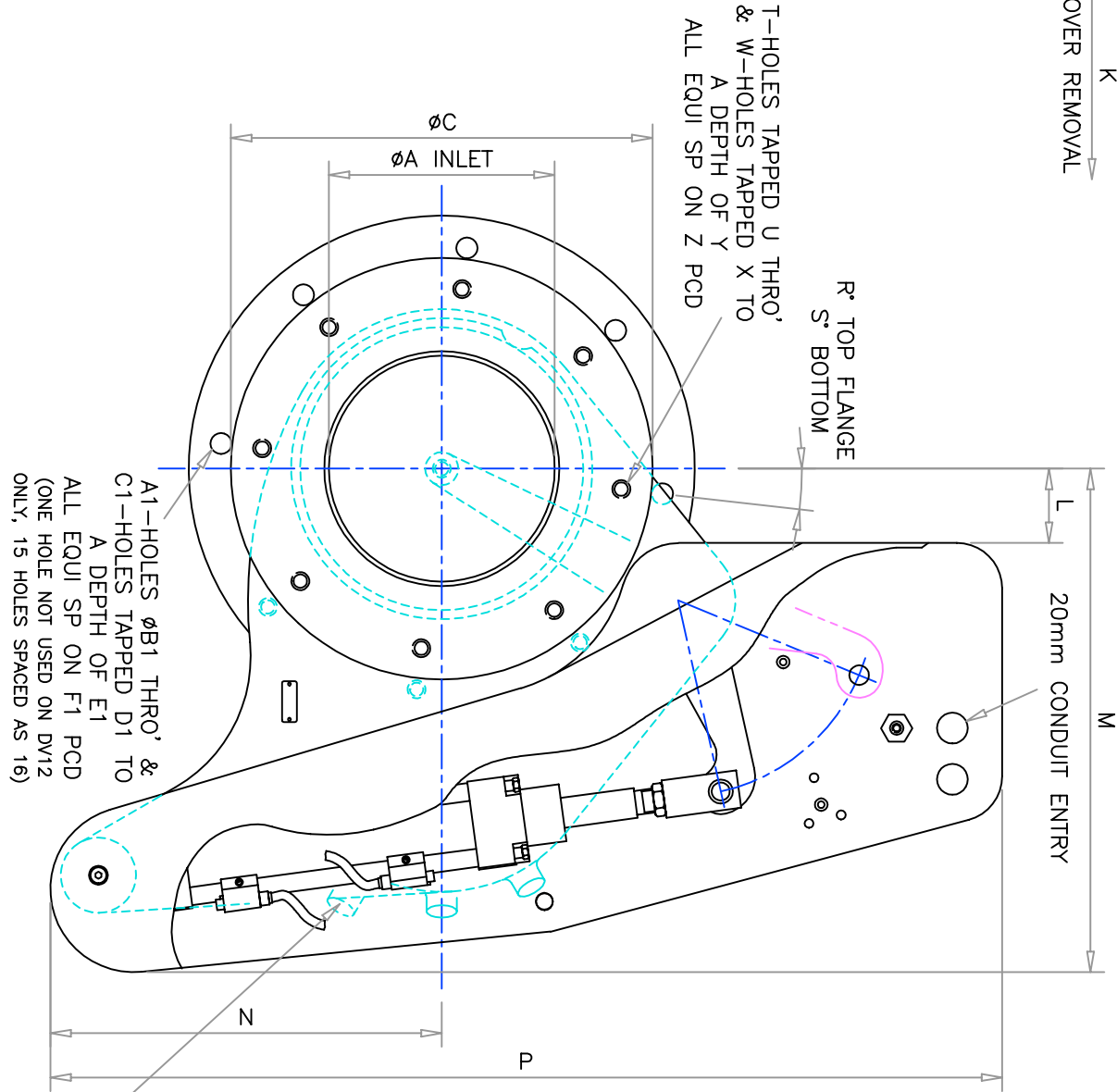
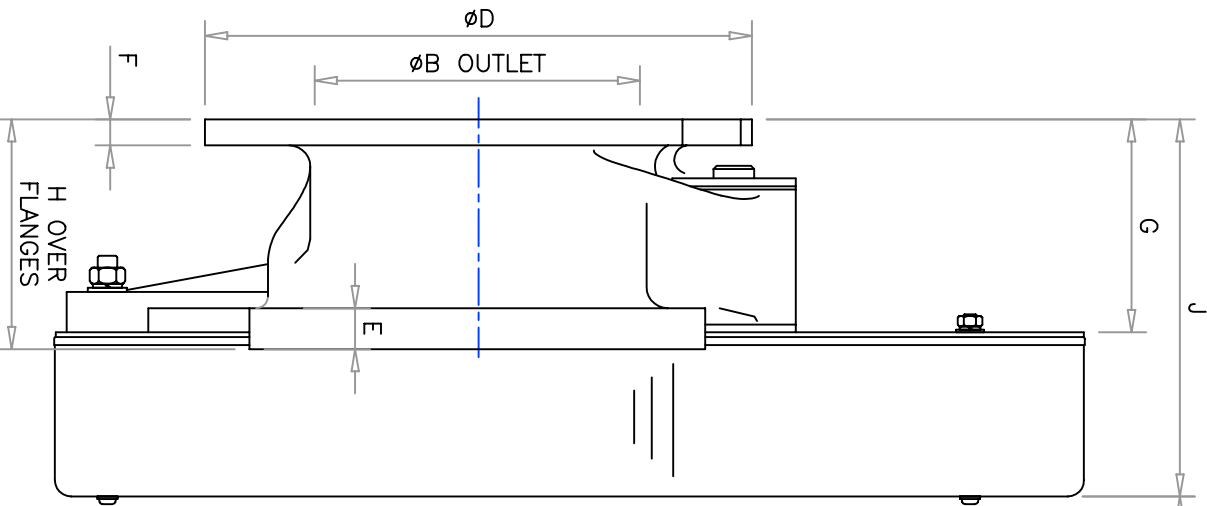




Muccon
The Power to Control Powders

Valve Type	Norm Bore	All dimensions in mm / Weights given in kgs																									
		A	B	C	D	E	F	G	H	J	K	L	M	N	P	R	S	T	U	W	X	Y	Z	A1	B1	C1	D1
DV6	150	150	200	280	336	24	16	130	140	250	95	50	335	260	632	6.5°	6.5°	4	M12	4	M12	20	240	6	14	2	M12
DV8	200	200	250	335	400	23	19	153	160	280	105	73	395	260	680	10.5°	18°	4	M12	4	M12	20	295	9	14	3	M12
DV10	250	250	300	410	480	25	25	193	200	335	125	78	505	325	795	12°	12°	4	M16	8	M16	20	350	8	18	4	M16
DV12	300	300	400	480	595	29	23	234	235	405	150	100	590	401	1005	18°	10.5°	N/A	N/A	12	M16	30	400	11	18	4	M16

Type	E1	F1	ALI	CI	316	Nett Weight
DV6	20	295	25	45	54	
DV8	20	350	30	55	66	
DV10	25	400	60	100	120	
DV12	30	515	90	160	N/A	



RECOMMENDED AIR SUPPLY
5.6bar TO 7.0bar OF
COMPRESSED AIR, FILTERED
& LUBRICATED OR
NON-LUBRICATED.

DRY AIR MUST BE USED
BELOW -1°C

LIMIT SWITCHES AND
SOLENOID CONTROL
PACKAGES AVAILABLE FOR
FULLY OPEN, CLOSED AND
TRICKLE OPERATION.

AIR CONSUMPTION @ 5.6bar
DV6 ~ 60 cc/s
DV8 ~ 100 cc/s
DV10 ~ 420 cc/s
DV12 ~ 460 cc/s
(Assuming continuous operation)

1/4" BSP AIR
PURGE PORTS

1st Generation Disc Valve Pneumatic

Although every effort is made to ensure this data is current, our products are subject to ongoing development and accordingly we reserve the right to change specifications and details without prior notice. Always request a certified drawing