

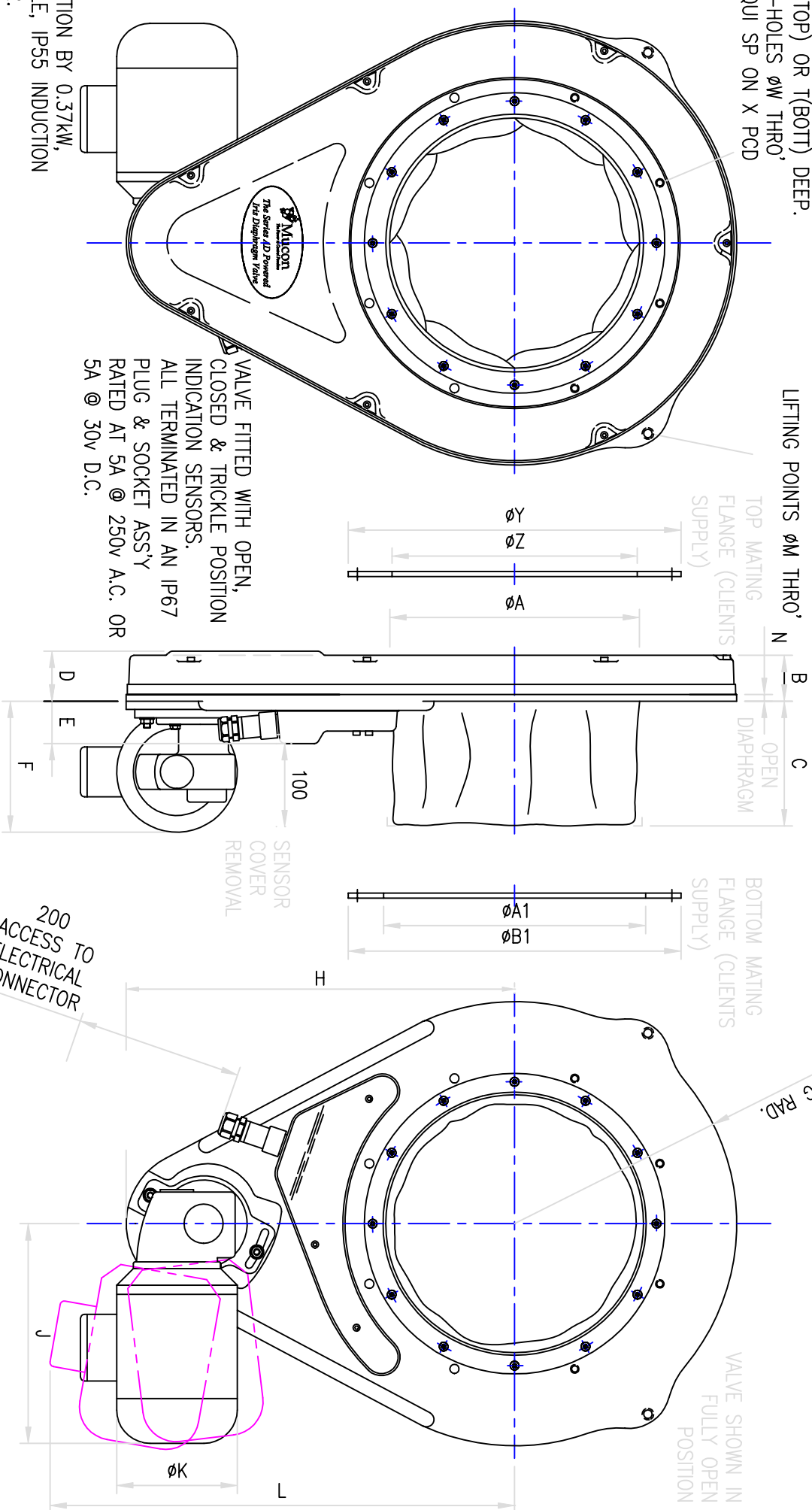


Mucon
The Power to Control Powders

The Power to Control Powders

Valve Type	Norm Bore	All dimensions in mm / Weights given for All unit in kgs																			Nett Weight					
		A	B	C	D	E	F	G	H	J	K	L	M	N	P	R	S	T	U	W	X	Y	Z	A1	B1	
ADP06	150	147	46	75	55	40	165	180	367	196	160	412	10	8	3	M8	15	12	3	9	203	228	142	158	228	14
ADP08	200	198	46	100	55	40	165	205	385	196	160	430	10	8	3	M8	15	12	3	9	254	280	193	209	280	17
ADP12	300	300	55	150	60	50	165	267	467	240	160	510	10	8	4	M10	20	15	4	11	378	400	295	315	400	30

P-HOLES TAPPED R x
S(TOP) OR T(BOTT) DEEP.
U-HOLES ØW THRO'
EQUI SP ON X PCD



VALVE FITTED WITH OPEN,
CLOSED & TRICKLE POSITION
INDICATION SENSORS.
ALL TERMINATED IN AN IP67
PLUG & SOCKET ASS'Y
RATED AT 5A @ 250V A.C. OR
5A @ 30V D.C.

OPERATION BY 0.37kW,
2-POLE, IP55 INDUCTION
MOTOR.
SUITABLE FOR :

220/240-380/415-3ph-50/60Hz
SUPPLY

Series AD Electric Motor Operated Iris Diaphragm Valve

Mucon Division, Kemutec Group, Springwood Way, Macclesfield, Cheshire, UK SK10 2ND, Tel: +44 (0)1625 412000, Fax: +44 (0)1625 412001

Although every effort is made to ensure this data is current, our products are subject to ongoing development and accordingly we reserve the right to change specifications and details without prior notice. Always request a certified drawing

20/06/00 A