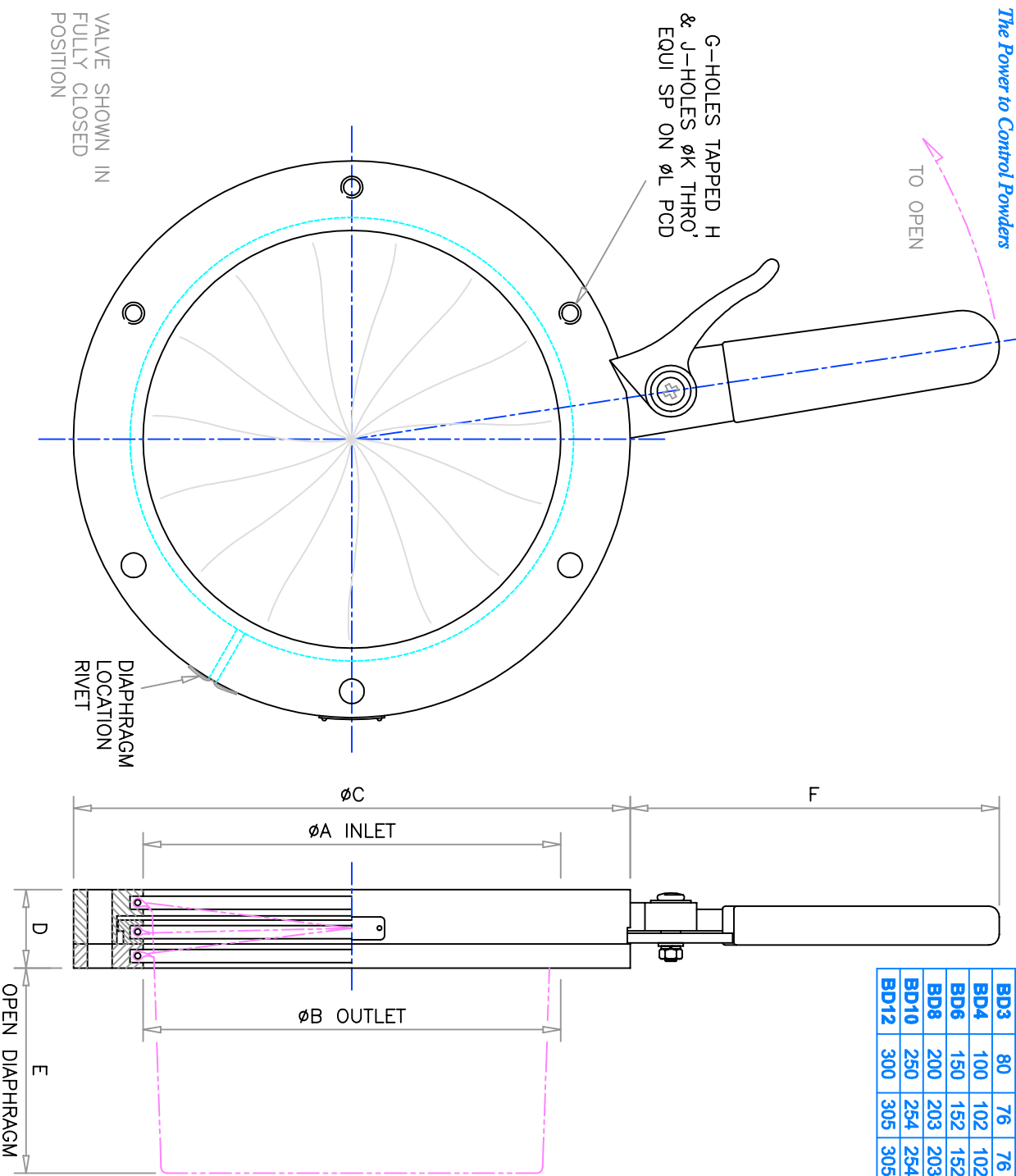


The Power to Control Powders



Valve Type	Nom Bore	All dimensions in mm / Weights given for All unit in kgs											Nett Weight
		A	B	C	D	E	F	G	H	J	K	L	
BD2	50	51	51	90	20	16	108	3	M6	3	7	73	0.5
BD3	80	76	76	114	20	25	108	3	M6	3	7	98	0.6
BD4	100	102	102	152	27	38	137	3	M8	3	9	133	1.1
BD6	150	152	152	203	29	64	137	3	M8	3	9	184	1.7
BD8	200	203	203	254	30	90	137	3	M8	3	9	237	2.0
BD10	250	254	254	330	45	114	174	4	M10	4	11	305	6.4
BD12	300	305	305	380	45	140	174	4	M10	4	11	356	7.3

Series BD Hand Operated Iris Diaphragm Valve

Mucon Division, Kemutec Group, Springwood Way, Macclesfield, Cheshire, UK SK10 2ND, Tel: +44 (0)1625 412000, Fax: +44 (0)1625 412001

Although every effort is made to ensure this data is current, our products are subject to ongoing development and accordingly we reserve the right to change specifications and details without prior notice. Always request a certified drawing