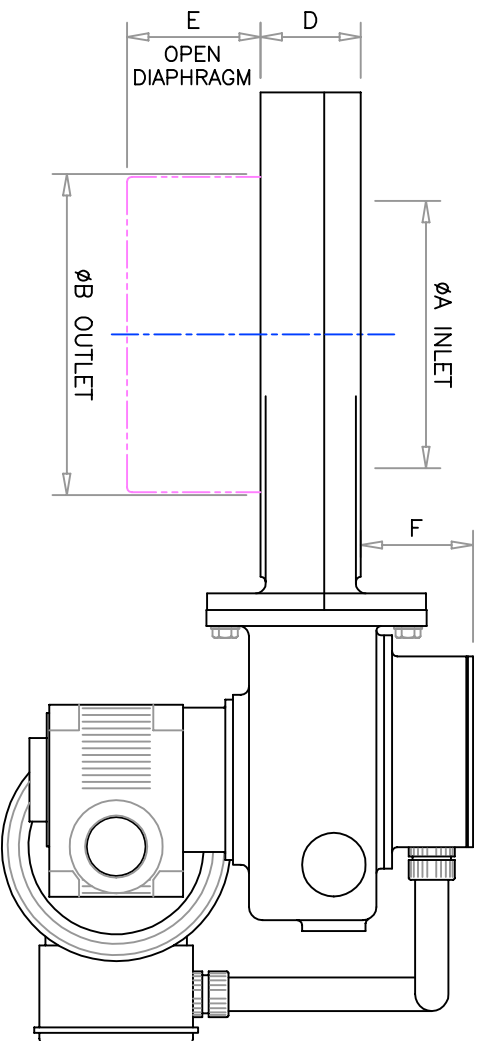
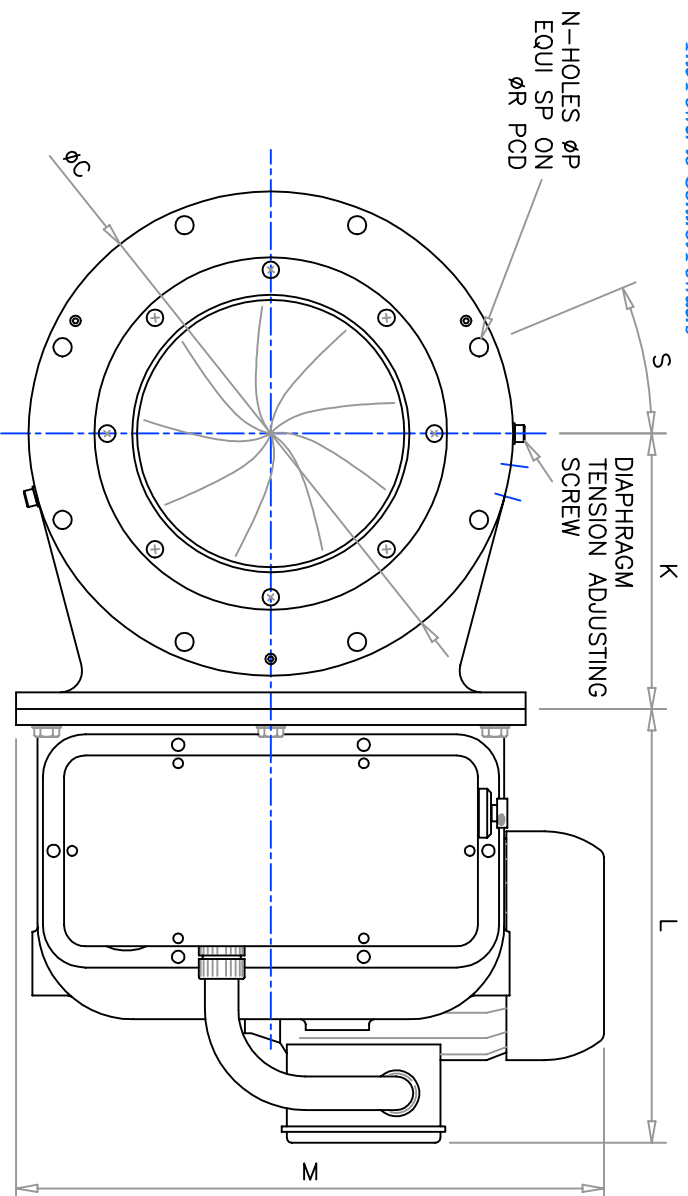




Mucon
The Power to Control Powders

THIS PLANNING IN DATA SHEET IS THE PROPERTY OF KEMUTEC GROUP LTD AND MUST NOT BE COPIED TO A THIRD PARTY WITHOUT WRITTEN CONSENT. MUCON & KEMUTEC ARE REGISTERED TRADE MARKS



Valve Type	Nom Bore	All dimensions in mm / Weights given for All unit in kgs												
		A	B	C	D	E	F	G	H	J	K	L	M	
ED6	150	160	190	290	60	80	67	131	305	282	165	260	352	
ED8	200	212	240	350	60	110	67	131	305	282	197	260	352	
ED10	250	263	292	400	60	130	67	131	305	282	222	260	352	
ED12	300	314	343	470	76	160	57	140	356	297	267	263	393	
ED15	380	390	420	565	89	200	51	140	356	297	314	263	393	
ED18	460	467	495	641	89	230	51	140	356	297	352	263	393	

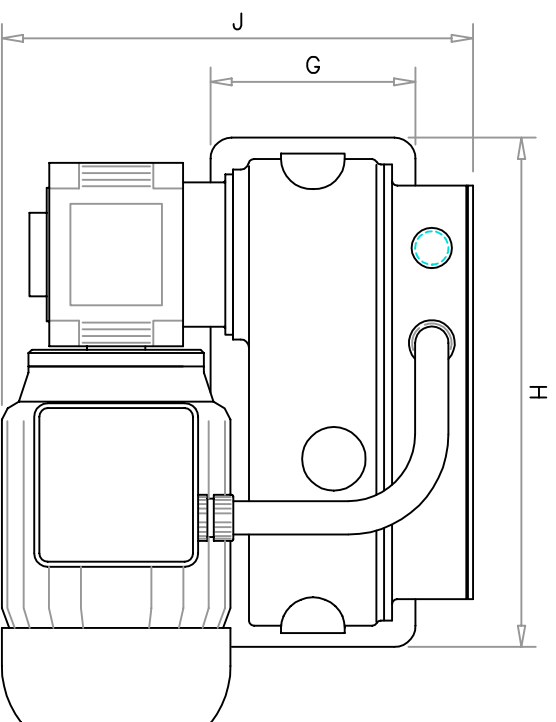
FITTED WITH FULLY OPEN,
CLOSED AND TRICKLE LIMIT
SWITCHES AS STANDARD.
ACCESS TO TERMINATIONS
THROUGH Ø20mm BLANKED HOLE

SWITCHES RATED AT 10A @
125v-250v A.C. OR 10A @ 30v D.C.

Valve Type	N	P	R	S	Nett Weight
ED6	8	11	270	22.5°	27.2
ED8	8	11	324	22.5°	30.3
ED10	8	11	375	22.5°	32.6
ED12	8	14	438	15°	50.3
ED15	8	14	533	22.5°	63
ED18	8	14	610	22.5°	63

ELECTRIC OPERATION BY 0.25kW, 4-POLE, IP55,
71 FRAMED INDUCTION MOTOR. SUITABLE FOR ;
220/240-380/415v-3ph-50Hz
254/277-440/480v-3ph-60Hz SUPPLY

FULL LOAD CURRENT @ 230v ~ 1.65A @ 415v ~ 0.95A



Series ED Motorised Iris Diaphragm Valve

Mucon Division, Kemutec Group, Springwood Way, Macclesfield, Cheshire, UK SK10 2ND, Tel: +44 (0)1625 412000, Fax: +44 (0)1625 412001

Although every effort is made to ensure this data is current, our products are subject to ongoing development and accordingly we reserve the right to change specifications and details without prior notice. Always request a certified drawing