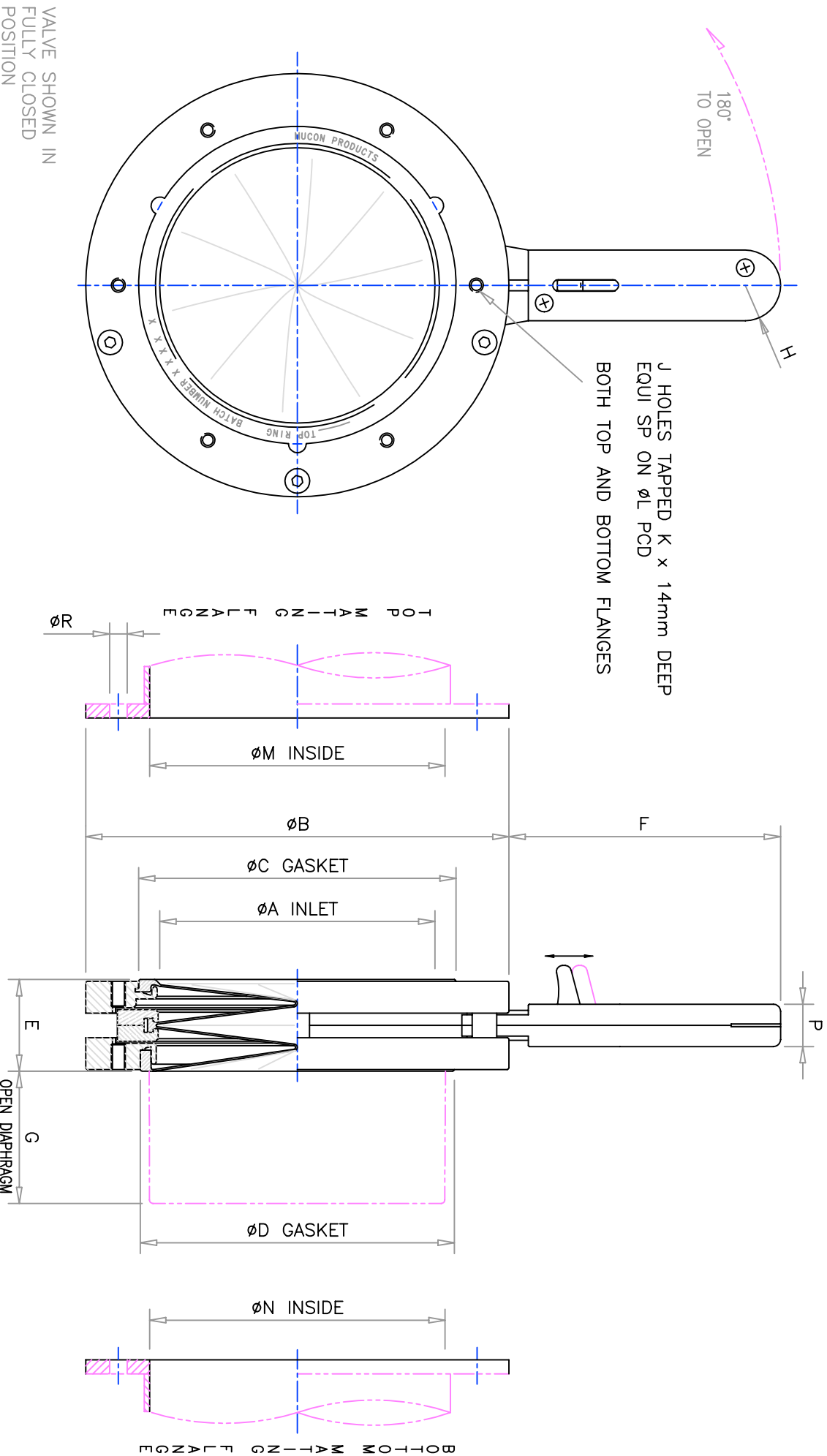


Valve Type	Nom Bore	All dimensions in mm / Weights given for 316 unit in kgs																			Nett Weight
		A	B	C	D	E	F	G	H	J	K	L	M	N	P	R	S				
KD6	150	156	240	180	178	52	155	75	20	6	M8	203	152	168	24	10	24	6.6			
KD8	200	206	290	230	228	52	155	80	20	6	M8	254	180	218	24	10	24	8.4			
KD10	250	260	345	282	280	52	155	95	20	8	M10	327	210	272	24	12	24	10.7			



Series KD Bolt Mounting Hand Operated Iris Diaphragm Valve

Mucon Division, Kemutec Group, Springwood Way, Macclesfield, Cheshire, UK SK10 2ND, Tel: +44 (0)1625 412000, Fax: +44 (0)1625 412001

Although every effort is made to ensure this data is current, our products are subject to ongoing development and accordingly we reserve the right to change specifications and details without prior notice. Always request a certified drawing